

GEA Bock Öldifferenzdruckschalter ΔP II

Montageanleitung

GEA Bock oil differential pressure sensor ΔP II

Assembly instructions

GEA Bock pressostat différentiel d'huile ΔP II

Instructions de montage

1 | Installation

Install the oil differential pressure sensor in accordance with the enclosed installation instructions of the manufacturer.

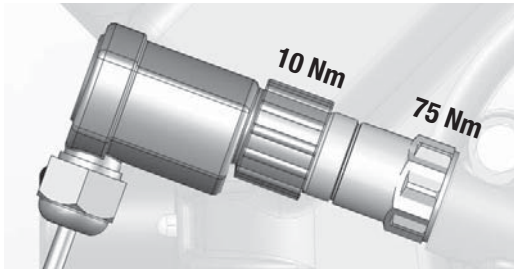


Fig. 1

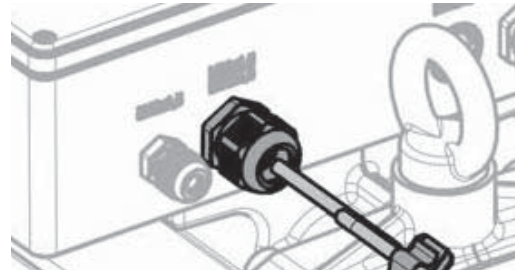


Fig. 2

2 | Terminal box

Pass the cable through a free Knock-out in the terminal box, see Figure 2.

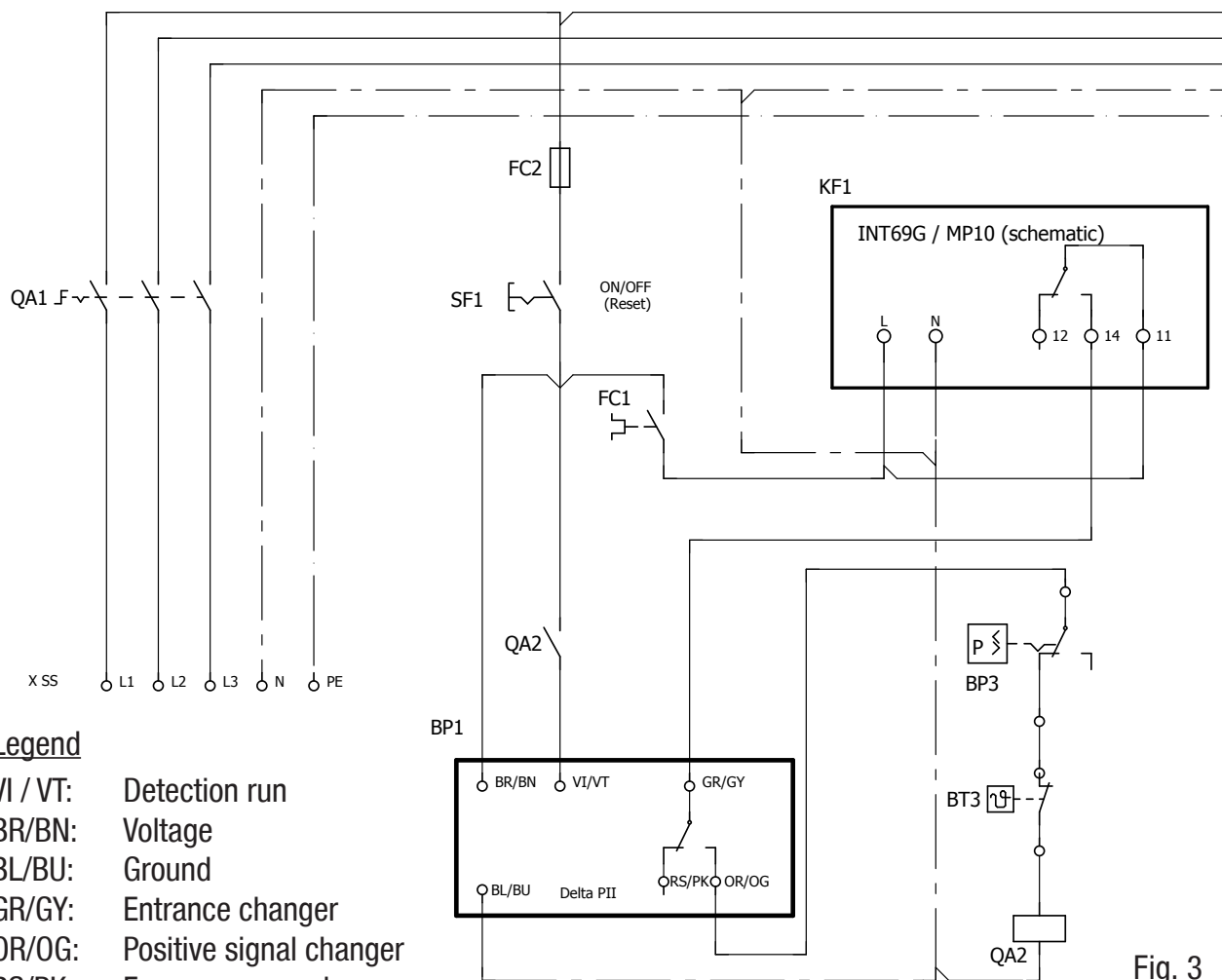


Fig. 3